



HVL-LBPB

Battery Video Light

Features

High-performance LED Video Light



HVL-LBPB

LED reliability and low power consumption

Bright daylight balanced output.

Powered by a single InfolITHIUM® battery (sold separately).

Optimized for 16x9 aspect ratio.

The HVL-LBPB is perfect for outside shooting in shade, at night and in sunlight. It is even bright enough to use for fill in very bright backlit scenes so you can be at ease shooting close-ups or from forty feet away.

Color balanced at 5500K daylight color temperature and comes with a filter kit to convert the color temperature from 5,500K to 3,200K.

Max. 1800 lux* @ 1m. Low power usage of only 18 W.

NP-F970 battery provides up to 160 min. @ max. brightness.

Over 10,000 hrs. LED lifetime** allows for heavy usage.

Low heat means quick cool down and pack-up.

*HVL-LBPB is 3 times brighter than original model (HVL-LBPA)

* This is the time when an output of radiance value is reduced by half.
(The LED tested were measured under controlled conditions. Actual LED life may vary based on different operating conditions and settings.)

L Series Battery power from NP-F770/F970 or D-Tap connector commonly available on professional camcorders.

The HVL-LBPB is cost effective and convenient, using standard L Series batteries (sold separately).



InfolITHIUM L



D-Tap Connector

Wide compatibility for flexible installation

The HVL-LBPB can be attached three ways:

1. By using the standard cold accessory shoe on the camcorder.
2. By extending the screw bolt contained inside the attachment foot using the dialing screw (circled in red) the light can be easily connected to the screw hole.
3. By using another device that contains a standard screw in its attachment plate, such as a tripod or light stand, it is easy to mount the light by connecting it to the screw hole.



1. Cold shoe

2. Screw bolt

3. Screw hole

Camcorder fitting with Light connector



12V DC Light Connector Adaptor



HVR-S270 via 12V DC Light connector



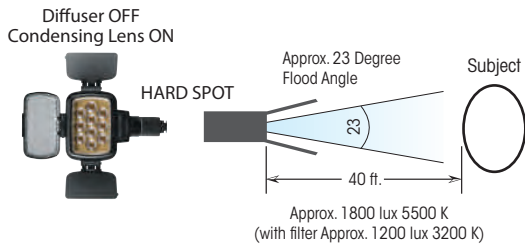
PMW-350 via 12V DC Light Connector

Use as a hand-held battery light or on top of a light stand to act as backlight.



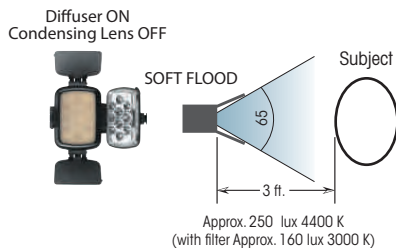
Ideal for Wide-angle as well as distance shooting and is optimized for 16x9 for more even illumination.

The HVL-LBPB provides uniform flood-lighting over wide areas for backgrounds, and quick conversion to a focused spot-light.



Wide-angle - 40 ft.

The HVL-LBPB is designed to provide optimum flood-light dispersion for wide-angle shooting. Uniform dispersion of illumination intensity is possible across the entire scene.



Focused Spot - 3 ft.

Using the built-in condensing lens, you can capture subjects at a distance. The attached diffuser softens shadows and reduces contrast for professional close-ups.

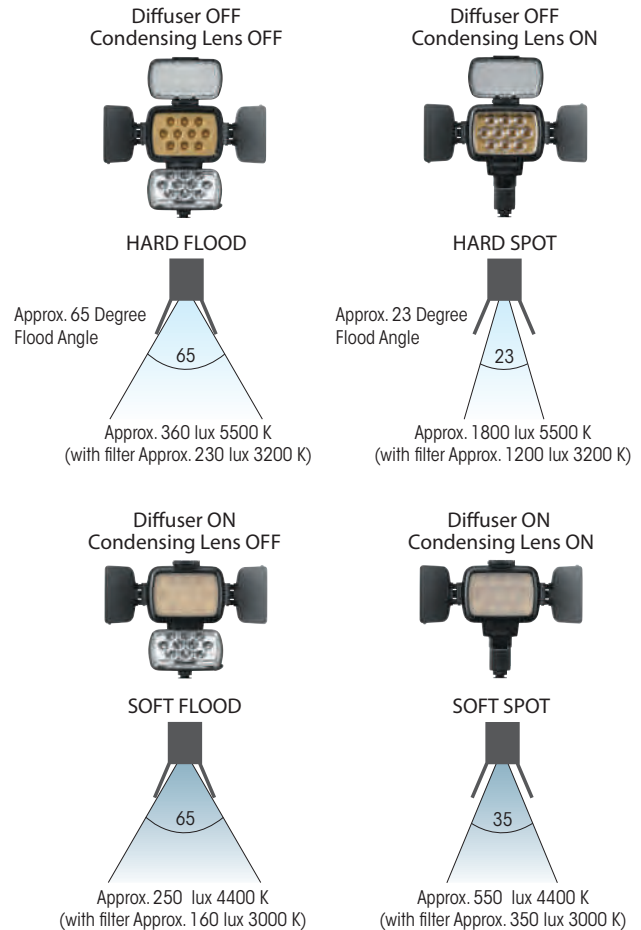
Filter kit

The HVL-LBPB comes with a filter kit to convert color temperature 5,500K to 3,200K.



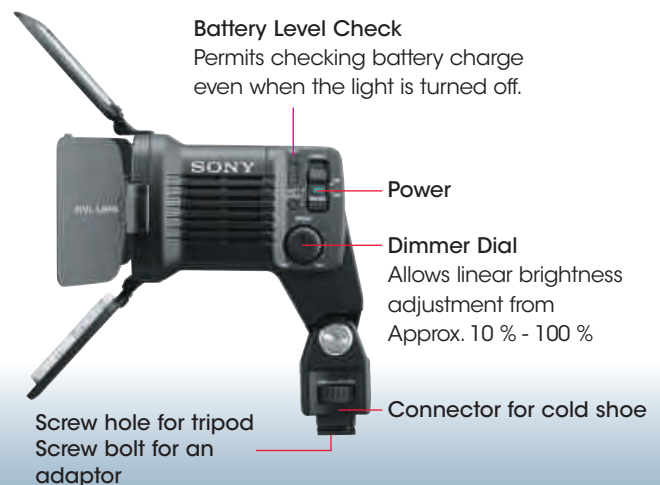
Spot or flood-lighting.

Combining the built-in diffuser and condensing lenses for spot and flood-lighting allows control of light angle and illuminance, for both close ups as well as up to 40 feet away. This functionality achieves softened shadows and reduces contrast in virtually all conditions.



Measurement specifications: Dimmer dial set to MAX. @ 3 1/5 ft (1m)
Temp. 77 °F (25 °C)

Controls and Features



Accessories

NP-F770/F970

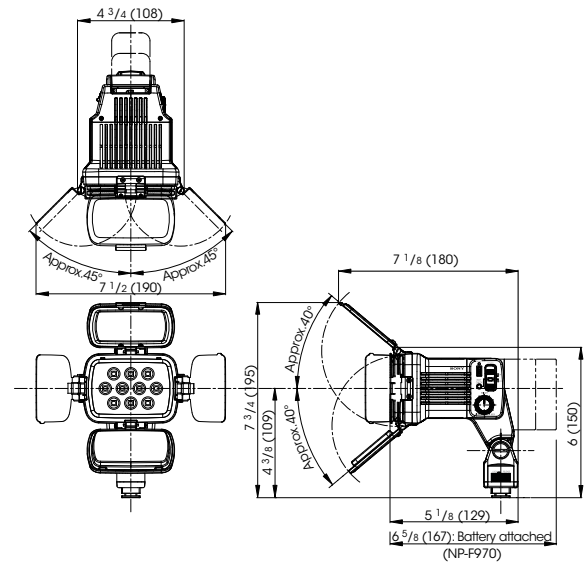
InfoLITHIUM® Rechargeable
Battery Pack



Specifications

Light	
Lighting device	LED
Lighting distance (with Lens)	Approx. 3 1/5 ft. (1 m) 1800 lux Approx. 9 and 4/5 ft. (3 m) 200 lux Approx. 16 and 1/2 ft. (5 m) 72 lux Approx. 26 and 1/3 ft. (8 m) 28 lux Approx. 32 and 4/5 ft. (10 m) 18 lux
Color temperature	Without filter: Approx. 5500 K without diffuser (when the BRIGHT dial is set to MAX at an ambient temperature of 70 °F (25 °C)) With filter: Approx. 3200 K without diffuser (when the BRIGHT dial is set to MAX at an ambient temperature of 70 °F (25 °C))
Lighting directions	Vertical approx. 65 degrees Horizontal approx. 65 degrees (without lens) approx. 23 degrees (with lens)
Continuous lighting time	Approx. 160 min (2h40m) (when using a fully charged NP-F970 and when the BRIGHT dial is set to MAX at an ambient temperature of 70 °F (25 °C)) Approx. 105 min (1h45m) (when using a fully charged NP-F770 and when the BRIGHT dial is set to MAX at an ambient temperature of 70 °F (25 °C))
General	
Weight	Approx. 15.9 oz (450 g)
Power requirements	DC 7.2 V InfoLITHIUM rechargeable battery pack L series NP-F970/F770 range. (cannot use NP-F500/300 range)
Power consumption	Approx. 18 W with battery (Approx. 20 W with LIGHT connector adaptor)
Operating temperature	+32 to +104 °F (0 to +40 °C)
Storage temperature	-4 to +140 °F (-20 to +60 °C)
Supplied accessories	Color conversion filter, LIGHT connector adaptor (Cord part approx. 10 in. (25 cm)), Set of printed documentation

Dimensions



Unit: inches (mm)

© 2011 Sony Electronics Inc. All rights reserved.
Reproduction in whole or in part without written permission is prohibited.
Features and specifications are subject to change without notice.
Non-metric weights and measures are approximate and may vary.
Sony, the Sony logo, the Sony make.believe logo, InfoLITHIUM, and its logo are trademarks of Sony.
Images in this brochure are simulated.